

NAFAS NATIONAL SHOW GLOUCESTER 2023

All classes in the schedule are to be regarded as exhibits

THE NAVE

Class 1

ON THE SHOULDERS OF GIANTS

Space allowed: 120cm diameter, height optional

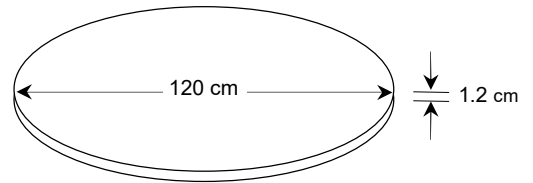
Staged on a circular base 1.2cm thick, placed against a stone pillar

Base painted Dulux Satinwood 'Goose Down'

Viewed and judged from the front

Open only to Areas of NAFAS

Staged by a maximum of 3 competitors



Class 2

A FEAST FOR THE EYES

Space allowed: Width 200cm, depth 95cm, height optional

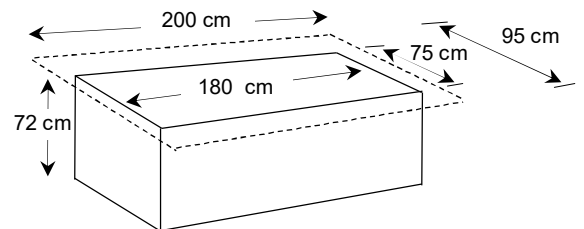
Staged on tables, width 180cm, depth 75cm

Height of table from floor 72cm

The exhibit may extend over the edge of the table but must not touch the floor

Competitors to provide their own table covering if required

Viewed and judged all round



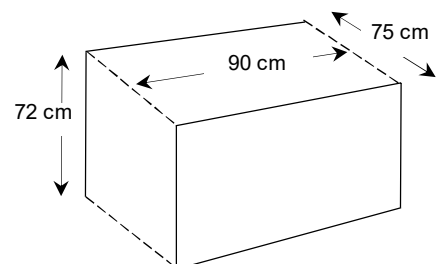
Class 3

CANDLES AND CANTICLES

Space allowed: Width 90cm, depth 75cm, height optional

Staged on open tabling 72cm from floor covered with sage coloured drapes

Viewed and judged from the front

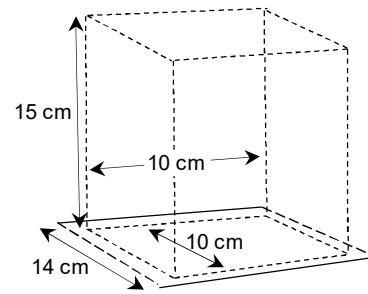


Class 4

GRACE NOTE

Miniature Class

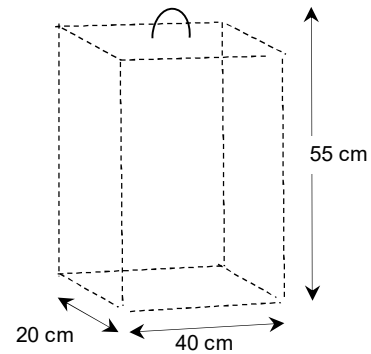
Space allowed: Width 10cm, depth 10cm, height 15cm
Staged on the top of a wooden Communion Rail, width 14cm, height from floor 70cm



Class 5

ECHOES OF THE GREEN MAN

Craft Class. Dried/preserved plant material only
Space allowed: Width 40cm, depth 20cm, maximum drop, including loop, 55cm
Suspended from a 'shelf'
Must be brought ready assembled with a loop attached at the centre top
Viewed and judged from the front
Further details on acceptance of entry

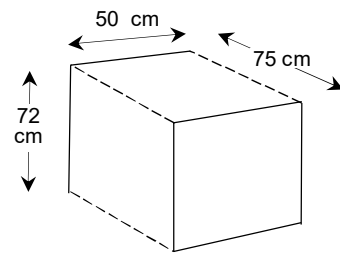


THE SOUTH TRANSEPT

Class 6

BLOCK AND STONE

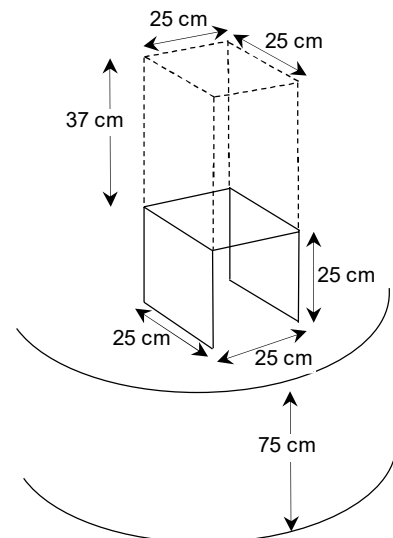
Foam-free Class
Space allowed: Width 50cm, depth 75cm, height optional
Staged on tabling covered with hessian
Height of tabling from floor 72cm
Viewed and judged from the front



Class 7

RICHLY WOVEN

Petite Class
Space allowed: Width 25cm, depth 25cm, height 37cm
Staged on Perspex stands 25cm width, 25cm depth, 25cm height, on the top of a wooden, semi-circular Cope Chest. Height of chest from floor 75cm
Viewed and judged from the front



THE THOMAS CHAPEL

Class 8

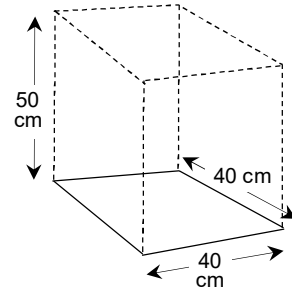
RHAPSODY IN BLUE

Space allowed: Width 40cm, depth 40cm, height 50cm

Staged on a painted board, laid on bench seating,
40 cm from floor

Board painted Dulux Satinwood 'Natural Hessian'

Viewed and judged from above



THE CHOIR

Class 9

FANFARE

Semi-imposed Class.

Space allowed: Width 60cm, depth 60cm, height 180cm

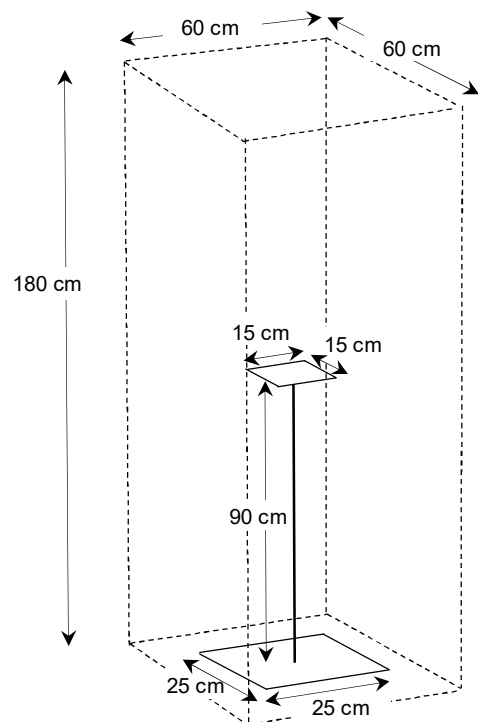
Staged on a terracotta and gold tiled floor

To include a black metal stand (provided)

Stand base 25cm square, stand top 15cm square

Height of stand 90cm

Viewed and judged all round



Class 10

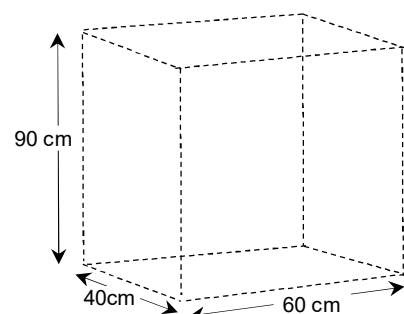
JUBILATE

Floral Screen Class

Space allowed: Width 60cm, depth 40cm, height 90cm

Staged on a tiled floor in front of wooden panelling

Viewed and judged from the front



THE MEMORIAL CHAPEL

Class 11

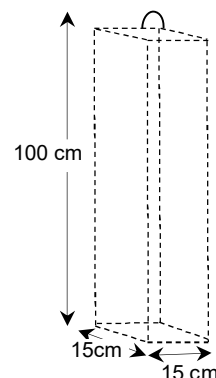
QUIETUDE

Craft Class. A Garland

Space allowed: Width 15cm, depth 15cm, maximum drop (including loop) 100cm

Must be brought ready assembled with a loop attached at centre top

Viewed from both sides and judged from the front



Class 12

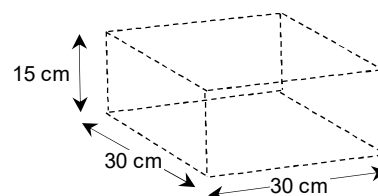
CELEBRATING COURAGE

Pavé Class. A Kneeler

Space allowed: Width 30cm, depth 30cm, height 15cm

Staged on the altar step, 16cm from floor

Viewed and judged from above



THE TREASURY

Class 13

'TOPAZES AND CINNAMON AND GOLD MOIDORES'

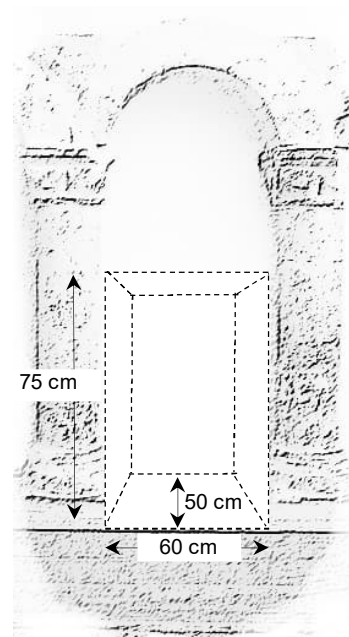
Space allowed: Width 60cm, depth 50cm, height 75cm

Staged on an oak wooden 'shelf' approx. 30cm from floor

Must be brought ready assembled

Viewed and judged from above

Further details on acceptance of entry



THE CLOISTERS

Class 14

WIZARDRY

Craft Class

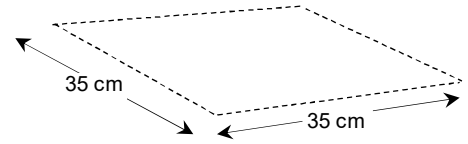
Space allowed: Width 35cm, depth 35cm, height optional

Staged on a grey stone ledge approx. 45cm from floor

Must be brought ready assembled

Viewed and judged from above

Open only to young people aged 7-12 years affiliated to NAFAS



Class 15

WIZARDRY

Craft Class

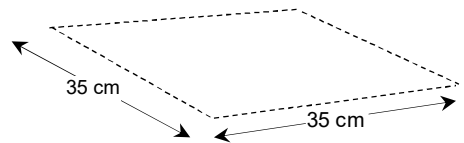
Space allowed: Width 35cm, depth 35cm, height optional

Staged on a grey stone ledge approx. 45cm from floor

Must be brought ready assembled

Viewed and judged from above

Open only to young people aged 13-17 years affiliated to NAFAS



Class 16

THE DESERT SHALL REJOICE AND BLOSSOM AS THE ROSE

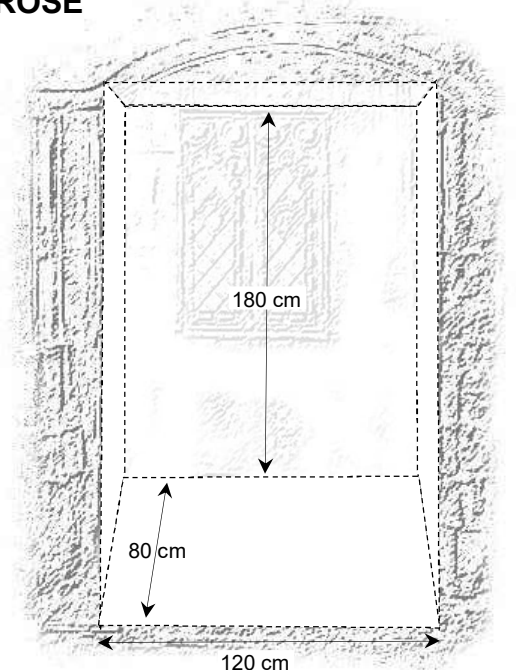
Space allowed: Width 120cm, depth 80cm, height 180cm

Staged on the Medieval stone floor

Viewed and judged from the front

Further details on acceptance of entry

Open to 1 or 2 competitors affiliated to NAFAS



THE CLOISTER GARTH

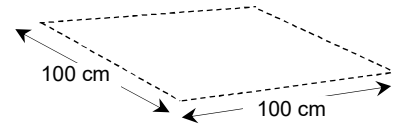
Class 17

OUTSIDE THE BOX

Semi-imposed Class staged on the Garth Lawn. Foam Free
Space allowed: Width 100cm, depth 100cm, height optional

Two apple crates, each 30cm x 40cm x 50cm will be
provided and may be used in any way

Viewed and judged all round



THE NAVE

Class 18

REJOICE

Club Class

Space allowed: Width 100cm, depth 100cm, height optional

Staged on a painted base 1.8cm deep placed against
a stone pillar

Base painted Dulux Satinwood 'Goose Down'

Viewed and judged from the front

Open only to Clubs affiliated to NAFAS

To be staged by a maximum of 2 competitors

